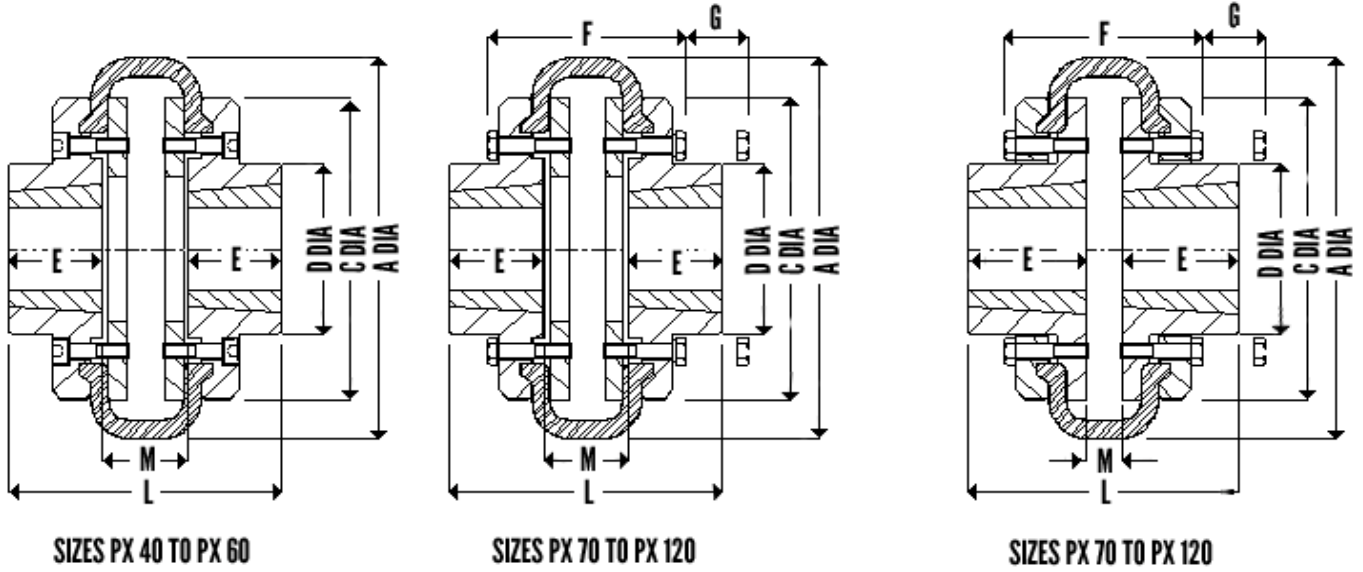




Unique PX Tyre Coupling with Magic Grip Bushing

GENERAL ASSEMBLY DRAWING



DIMENSIONS AND STANDARD SIZES

SIZE	Rating			KW rating at common RPMs					Max Misalignment			
	Max Seep RPM	Cont Nm	Max Nm	KM/100 rpm	585	720	1440	2880	Tor. Stiff Nm/deg	Ang. deg	Para-llel mm	Axial Mm
PX40	4500	21	64	0.22	1.3	1.6	3.2	6.3	5	4	1.1	1.3
PX45	4500	37	110	0.39	2.3	2.8	5.6	11	9	4	1.2	1.5
PX50	4500	53	160	0.56	3.3	0.4	0.8	16	13	4	1.3	1.7
PX60	4000	106	318	1.11	6.5	0.8	16	32	26	4	1.6	2.6
PX70	3600	162	487	01.7	10	12	24	49	41	4	1.9	2.3
PX80	3100	253	759	2.65	15	19	38	76	63	4	2.1	2.6
PX85	3000	305	915	03.2	19	23	46	92	76	4	2.2	2.8
PX90	2880	365	1096	3.82	22	28	55	110	91	4	2.4	0.3
PX100	2600	505	1517	5.29	31	38	76		126	4	2.6	3.3
PX110	2300	712	2137	7.46	44	54	107		178	4	2.9	3.7
PX120	2050	1182	3547	12.4	73	89	178		296	4	3.2	0.4
PX140	1800	1881	5642	19.7	115	142	284		470	4	3.7	4.6
PX160	1600	3113	9339	32.6	191	235	338		778	4	4.2	5.3
PX180	1450	5485	16455	57.5	336	410	538		1371	4	4.8	0.6





Size	Max Bore RPM	MG Bush No	A Dia mm	C Dia mm	D Dia mm	E mm	F mm	G mm	J Mm	L mm	M mm	Wt Kg	WR^2 KgM^2	Bolt TT NM
PX40	25	1008	104	82	-	22	-	43	29	66	22	1.6	0.001	15
PX45	28	1108	120	94	-	22	-	43	29	68	24	0.2	0.002	15
PX50	32	1210	133	100	79	25	-	43	38	75	25	2.4	0.003	15
PX60	42	1610	165	125	103	25	-	43	38	83	33	0.4	0.001	15
PX70	42	1610	197	144	82	25	101	10	38	90	40	6.2	0.018	24
PX80	50	2012	211	167	95	32	106	10	42	107	43	9.6	0.037	24
PX85	50	2012	222	179	103	32	106	13	42	108	44	11.5	0.005	32
PX90	60	2517	235	188	110	45	119	13	48	136	46	14	0.064	32
PX100	60	2517	254	216	124	45	123	13	48	138	48	20	0.012	32
PX110	75	3020	279	233	140	51	127	14	48	152	50	26	0.016	32
PX120	75	3020	314	264	152	51	140	14	55	151	49	32	0.343	35
PX140	90	3535	359	311	195	89	152	14	67	211	24	54	0.695	35
PX160	100	4040	395	345	200	102	160	16	80	244	30	82	0.122	90
PX180	110	4545	470	398	220	114	190	16	90	282	46	126	0.201	90

